

I. **Your information:**

1. Organization :
2. Name Mr / Mrs :
3. Address :
4. Postal Code and City :
5. Country :
6. Telephone number :
7. Fax number :
8. E-mail address :

II. **Ship details:**

1. Type of ship :
- Displacement Semi-planing Planing
- Single propeller Double propeller Nozzle
2. Built of: Steel Wood Aluminium G.R.P.
3. Length :
- Overall : L.o.a. m - On the waterline : L.w.l. m
4. Weight : kg

III. **Engine details:**

1. Make : Type :
2. Engine Power (according to factory data): kW hp @ r.p.m.
3. Make and Type gearbox:
4. Gear ratio gearbox: : 1 (forward)

IV. **Maximum Vessel speed:**

1. Expected speed? Knots km/h

V. **New Propeller details:**

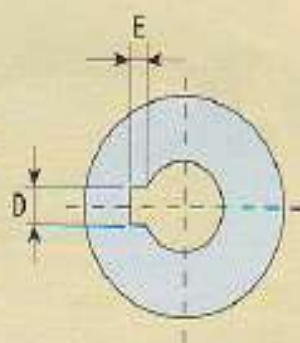
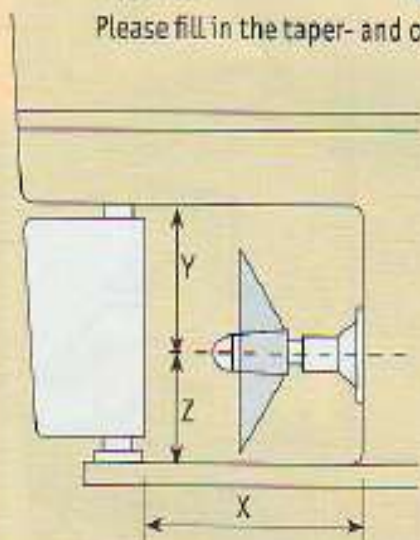
Maximum propeller diameter : mm (Note: min. bladetip clearance is 20% of the propeller diameter)

Number of blades : Blade area ratio (B.A.R)

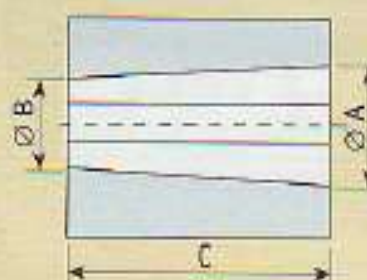
Rotation: Right handed Left handed

Material: Manganese-Bronze Nickel-Aluminium-Bronze Stainless Steel

Please fill in the taper- and other measurements using the fields and drawings below:



Taper ratio 1 :



A = \varnothing mm

B = \varnothing mm

C = mm

D = mm

E = mm

X = mm

Y = mm

Z = mm

If possible, please attach a drawing of the rear part of the ship.

Remarks / questions: